



GENUINE PARTS

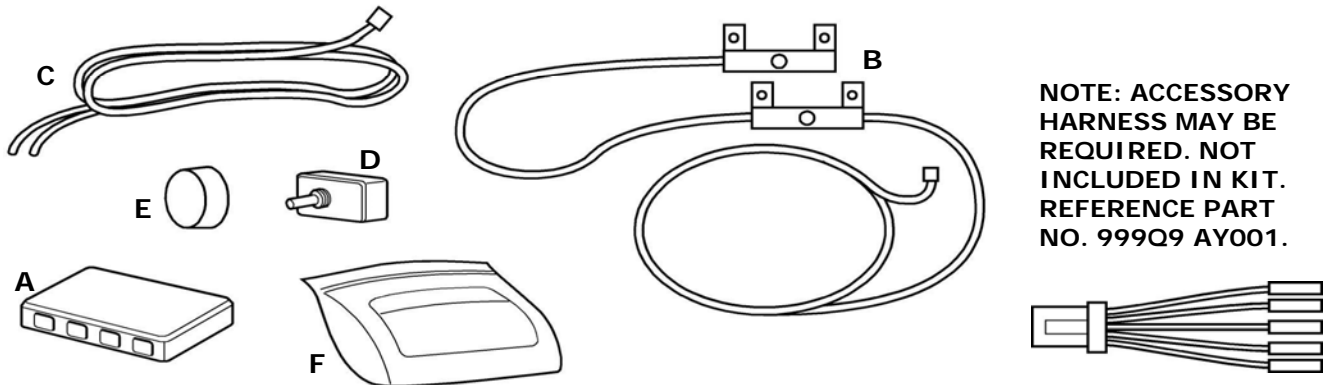
INSTALLATION INSTRUCTIONS

1. **DESCRIPTION:** Accent light Kit
2. **APPLICATION:** Rogue
3. **PART NUMBER:** 999F3 4Z000 - Accent Lighting Kit.
999Q9 AY001 - Accessory Service Connector
4. **KIT CONTENTS:**

Item	QTY	Description	Service Part Number
A	1	Control module (Multi Color)	999F3 AW004
B	1	Footwell Light Assembly	999F3 4Z010
C	1	Vehicle Interface Harness	999F3 AW050
D	1	Encoder Switch	999F3 AW006
E	1	Encoder Knob	999F3 AW002
F	1	Fixing Kit (see BOM for details)	999F3 4Z030

ITEMS NOT IN KIT THAT MAY BE REQUIRED

Accessory Service Connector	999Q9 AY000
-----------------------------	-------------



5. TOOLS REQUIRED

- Trim stick
- Needle nose pliers
- #2 Phillips screwdriver
- Electrical tape, masking tape.
- Scissors
- Protective cloth
- 5/16" drill bit
- 3/16" drill bit
- Drill Motor

6. PRE-INSTALLATION CAUTION/NOTES

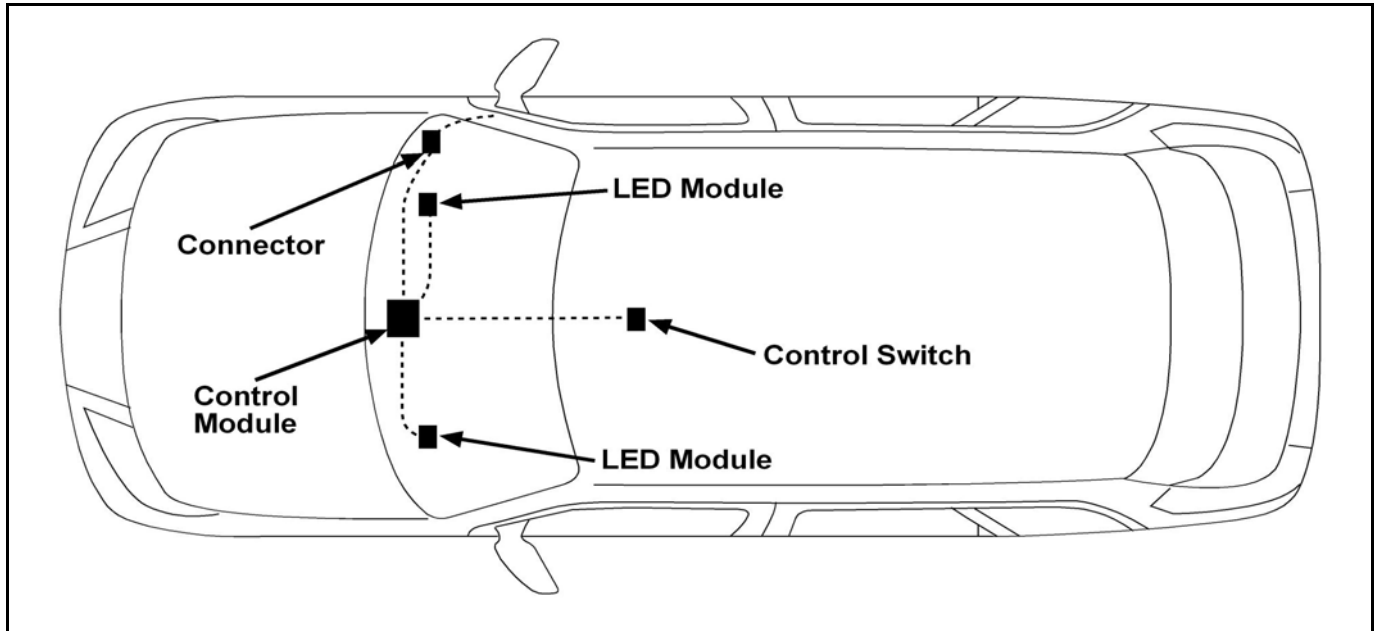
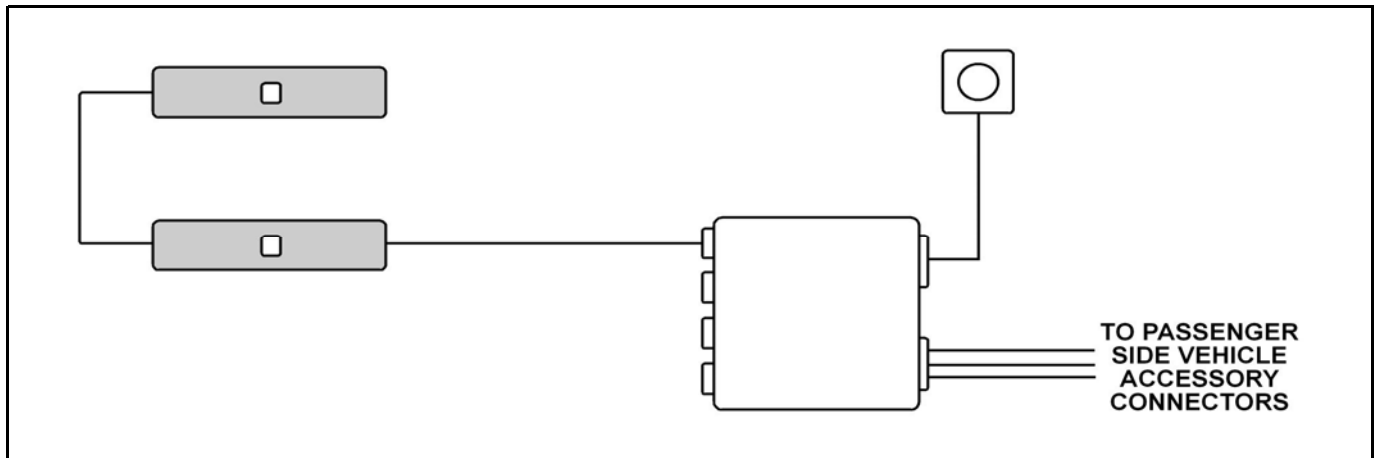
- Dealer installation recommended. Instructions may refer to Service Manual
- Installation may require special tools
- This part is to be installed within a surface temperature range of 65-100°F

CAUTION

- This accessory must only be installed as specified in these instructions.
- Ensure at all times that parts are securely fitted and will not compromise the safe function of vehicle systems.

INSTALLATION INSTRUCTIONS - Accent Lighting Kit

7. INSTALLATION OVERVIEW



⚠ CAUTION

CRITICAL STEPS TO DISCONNECT BATTERY:

- Allow 3 min after key off and doors closed for vehicle to time out (if doors are opened again additional time may be required). Disconnect negative terminal. Allow an additional 3 min after negative terminal disconnect before separating any electrical connectors.

8. CRITICAL STEPS

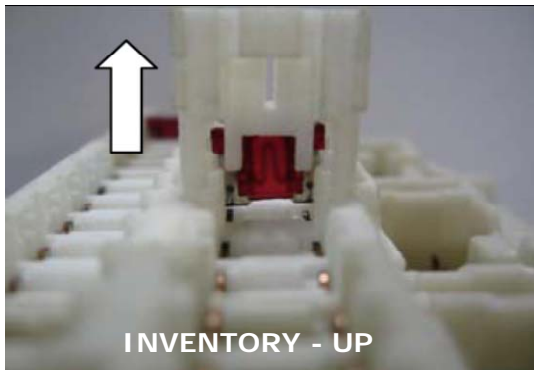
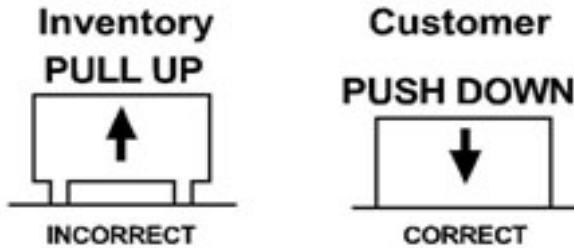
The following steps are critical and must be performed **EXACTLY** as specified to ensure proper installation:

- Location of the lights must be followed exactly as described in this instruction.
- Posi-Tap™ instructions must be specifically followed as described.

INSTALLATION INSTRUCTIONS - Accent Lighting Kit

9. VEHICLE PREPARATION

- 1) Apply parking brake
- 2) Confirm the vehicle is no longer in the default shipping state (Extended Storage Switch Pulled Up and BCM in Transit Mode). Failure to confirm the vehicle has been removed from this state will result in the loss of normal vehicle operation.
- 3a) Locate the Extended Storage Switch in the cabin fuse block. Once located, check that it is in the "Customer" position. See below for reference.



3b) To remove transit mode:

1. Remove fuse cover lid
2. Push down shorting pin
3. Ign On 2 times without turning vehicle on

To return to transit mode:

1. Ign Off
2. Remove fuse cover lid
3. Pull up shorting pin
4. Assemble fuse cover lid
5. Ign On 2 times without turning vehicle on
6. Confirm transit mode condition on meter

NOTE: Typical vehicle condition shown here. Switch is easily identifiable by the permanent, push-pull fuse holder. Actual position on the fuse block may vary, vehicle to vehicle.

- 4) Record customer radio presets.

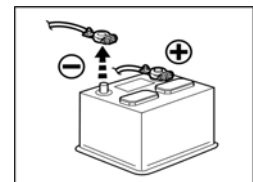
	1	2	3	4	5
A					
B					
C					

NOTE: USE CAUTION WHEN REMOVING / RE-INSTALLING TRIM COMPONENTS TO AVOID DAMAGE, SCRATCHES, BREAKING OF CLIPS AND / OR INTERIOR TRIM PANELS. MOVE ALL TRIM COMPONENTS TO A PROTECTED AREA.

WARNING

FOR VEHICLES WITH MANUALLY OPERATED SEATS
Disconnect negative battery terminal before proceeding.

FOR VEHICLES WITH POWER SEATS
Disconnect negative battery terminal **AFTER** Step 4

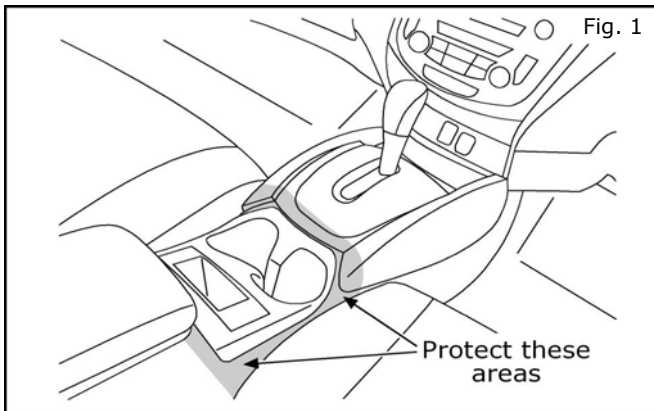


10. Order of Installation

- | | |
|---|---|
| <ol style="list-style-type: none"> a. Interior preparation - remove panels. b. Install - Passenger Footwell light. c. Install - Driver Footwell light. | <ol style="list-style-type: none"> d. Install - Vehicle interface. e. System check. f. Reinstall - Panels. |
|---|---|

INSTALLATION INSTRUCTIONS - Accent Lighting Kit

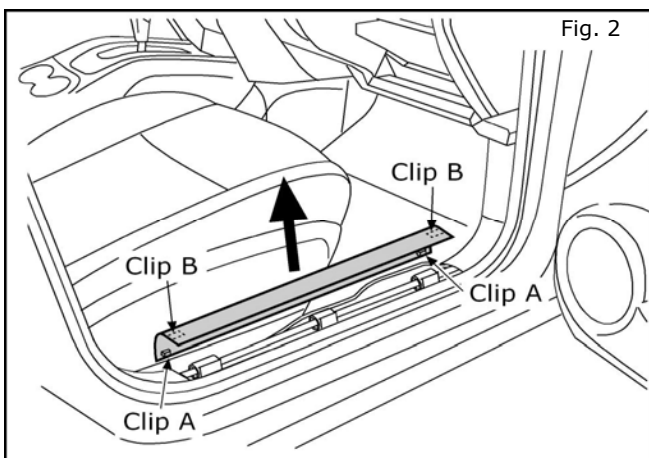
11. INTERIOR PREPARATION



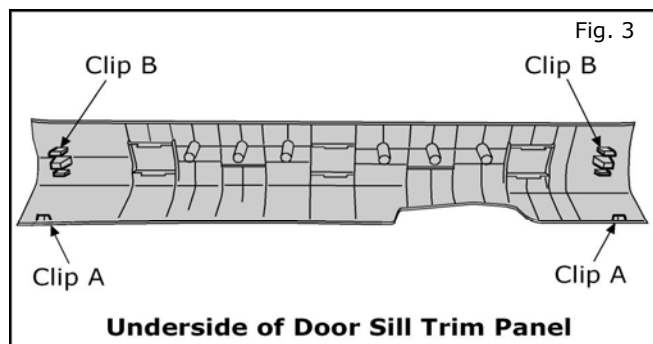
1. **CAUTION: BE SURE TO PREP INTERIOR SURFACES WITH PROTECTIVE CLOTH OR LOW TACK MASKING TAPE TO PREVENT ANY SCRATCHING OR BLEMISHES TO THE INTERIOR**

BEGIN ON PASSENGER SIDE

2. Move passenger seat to full forward position. Remove inner door sill trim panel.



3. Place fingers at clip (A) which is located at inner rear and front end, and pull out with a slight rotating motion until clip A is popped loose, then pull up to remove door sill trim panel.

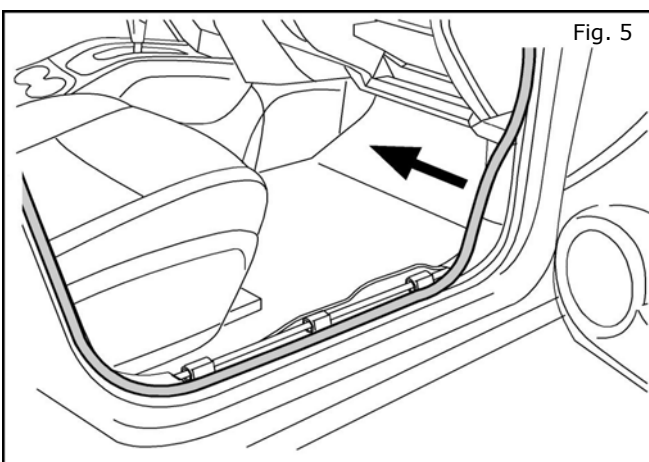


4. Move driver and passenger seat to full back position.



FOR VEHICLES WITH POWER SEATS

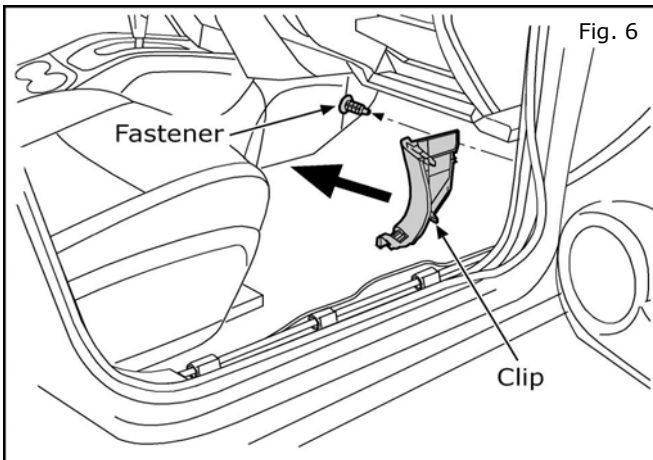
Disconnect negative battery terminal at this time.



5. Carefully pull up the door seal welt from front of sill plate to bottom of glovebox as shown.

INSTALLATION INSTRUCTIONS - Accent Lighting Kit

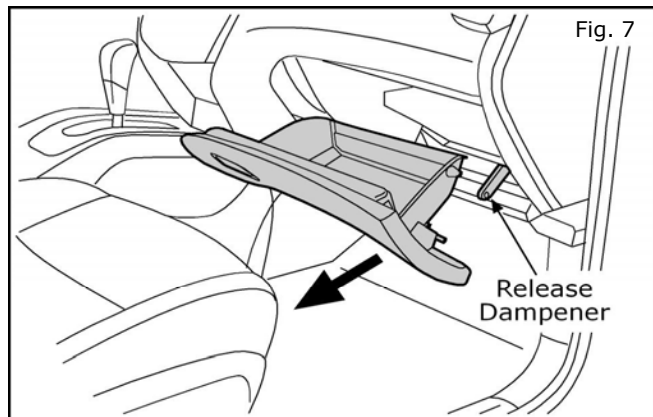
11. INTERIOR PREPARATION



6. Remove one (1) fastener from the outer footwell trim panel (LH). Use a trim stick to carefully pry off the trim panel, pulling the part horizontally toward center of vehicle.

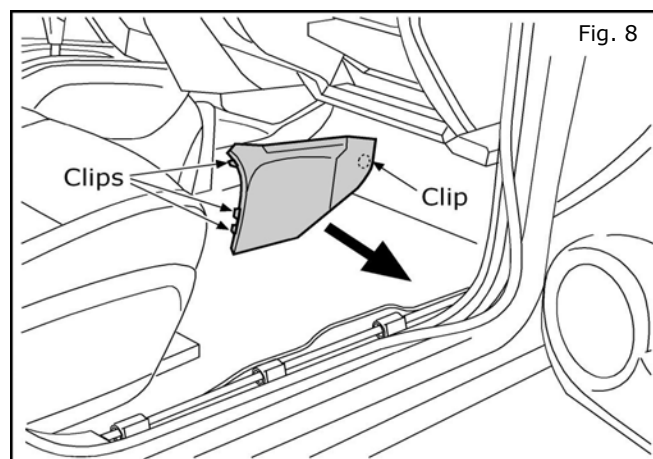
NOTE: Be careful not to damage the clip on the lower portion of the panel.

NOTE: Step 7 is optional. Please review all installation steps to determine if glovebox removal is necessary. Non-removal may avoid damage to components.



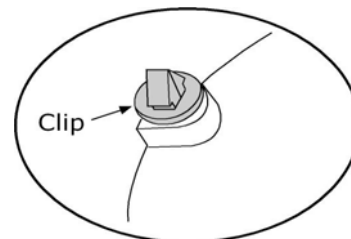
7. Open the glovebox door. Release the dampener arm from the right side of the door. Carefully pull upward on the door to release the hinges. Remove the glovebox door from the vehicle.

NOTE: Be sure to support and pull up on the door AT THE HINGE LOCATIONS during removal to avoid any damage.



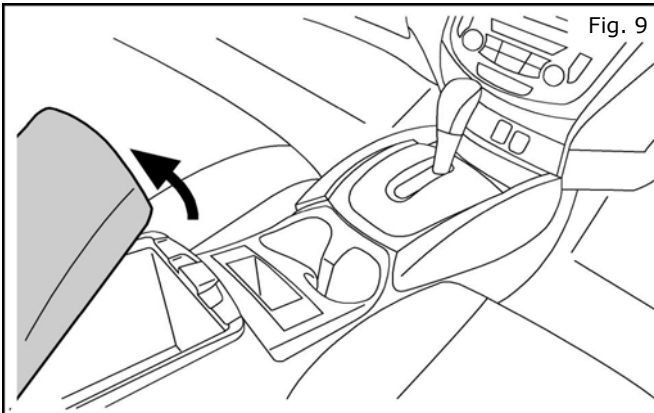
8. Carefully pry out the center trim panel from the passenger side of the center stack.

NOTE: Be careful not to damage any clips on the panel during removal. Be sure the front retainer clip stays with the panel during removal. If clip does NOT come off with panel, then remove with a pry tool and reinsert into panel.

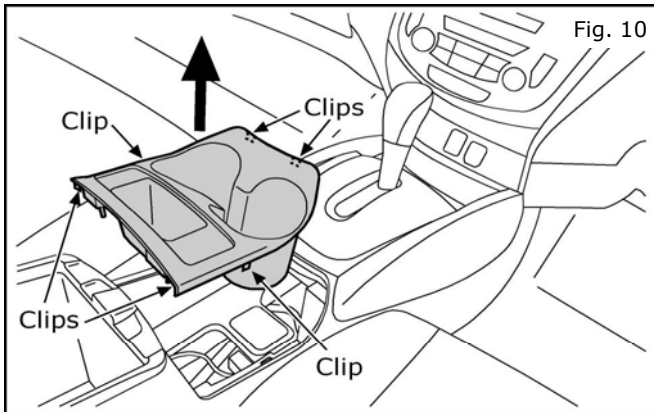


INSTALLATION INSTRUCTIONS - Accent Lighting Kit

11. INTERIOR PREPARATION

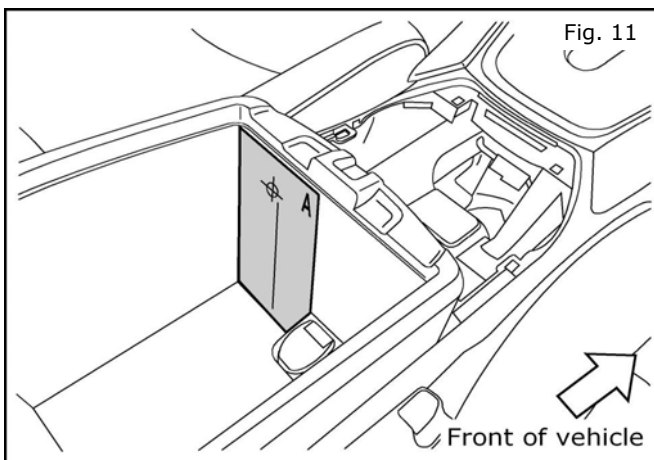


9. Open the center armrest compartment.



10. Remove the cup holder trim panel from the center stack.

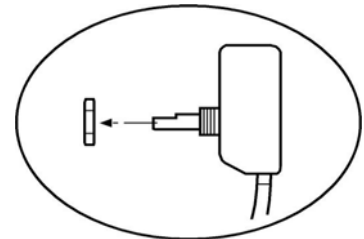
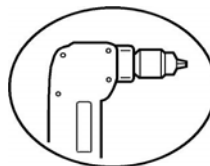
NOTE: Be careful not to damage any clips on the panel during removal.



11. Trim out template "A" and tape into place inside front of armrest storage compartment as shown. The template should be positioned with the letter "A" in the upper right hand corner.

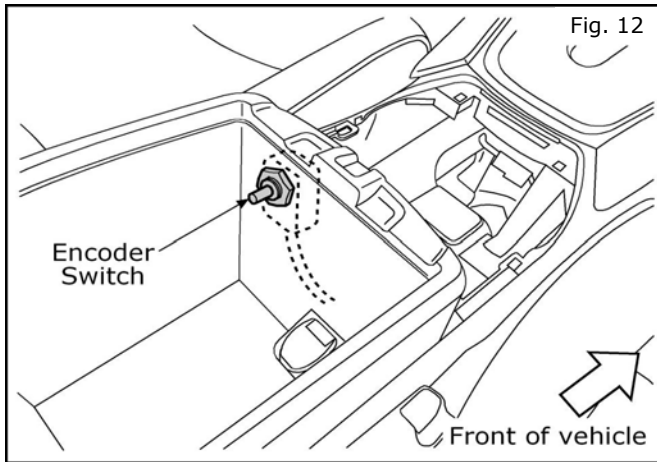
Using a 5/16" drill bit and a drill motor, carefully drill a hole for the encoder.

NOTE: Deburr hole after drilling. Clean up any plastic shavings from work area. Remove the existing nut from the encoder switch.



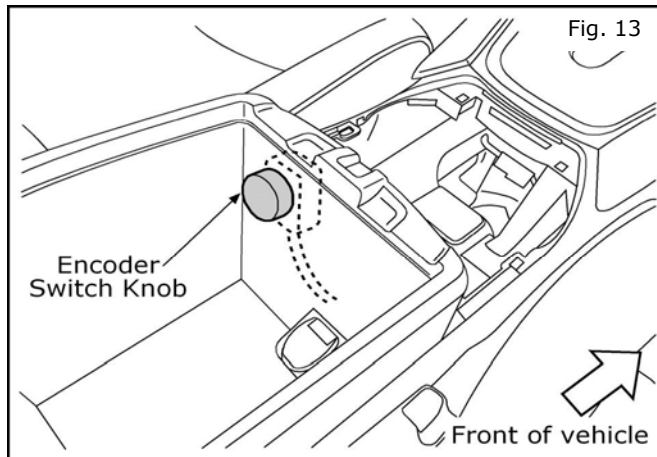
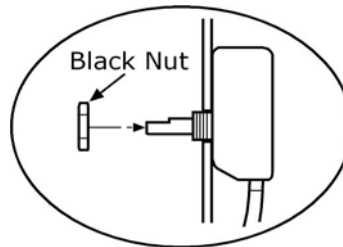
INSTALLATION INSTRUCTIONS - Accent Lighting Kit

12. INSTALLATION

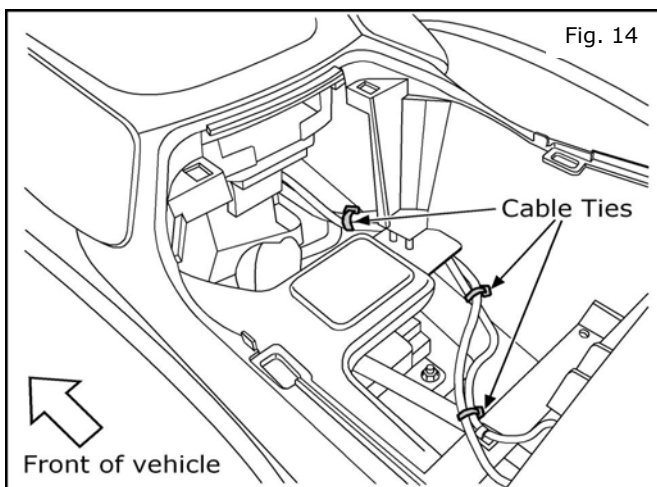


12. **Ins tall** the encoder so that the shaft is inside the front of the armrest storage compartment.

Use the black 11mm nut to secure the encoder.



13. Install the encoder control knob.



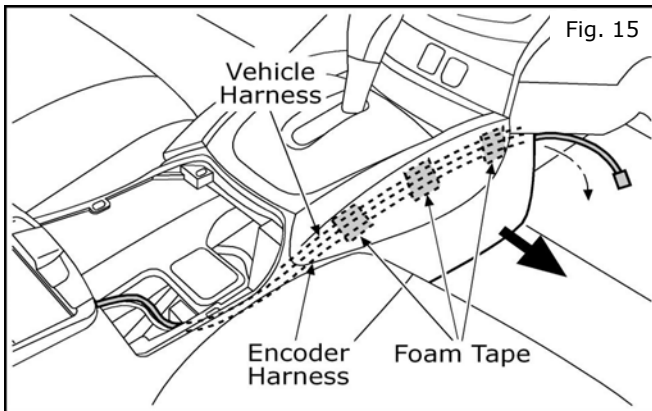
14. Route encoder wiring harness forward through the center console and up towards the center stack. Secure 4" cable ties as shown.

Ideal cable tie spacing is 100mm to 120mm.

NOTE: Trim all cable ties before you continue.

INSTALLATION INSTRUCTIONS - Accent Lighting Kit

12. INSTALLATION

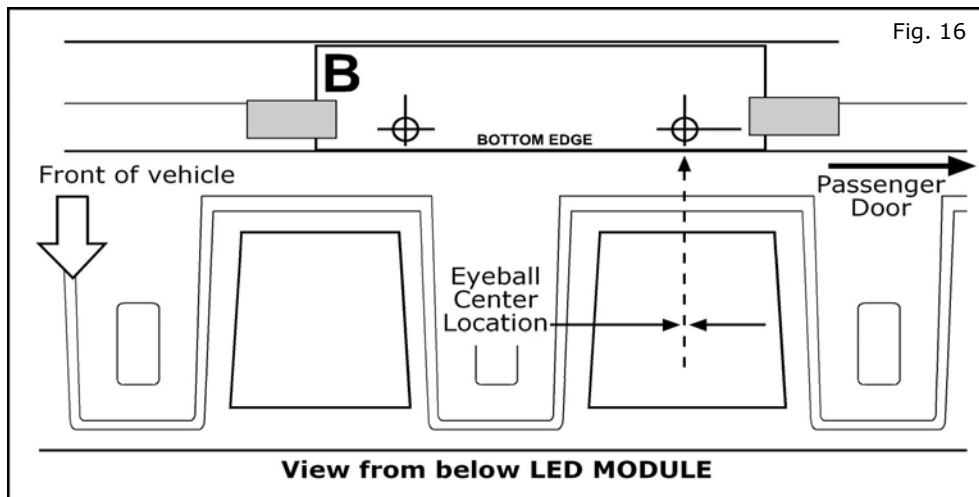


15. Route encoder wiring harness up through the center stack and out to the passenger side footwell. Carefully pull outward on the bottom edge of the center console trim panel and secure the encoder harness to the vehicle harness inside with foam tape.

NOTE: Do not over stress the panel when pulling outward.

PASSENGER SIDE LED MODULE INSTALLATION

16. Visually locate the center between the second and third "rib" along the bottom cross bar under the glovebox opening as shown. Trim out template "B" and tape into place under crossbar with the



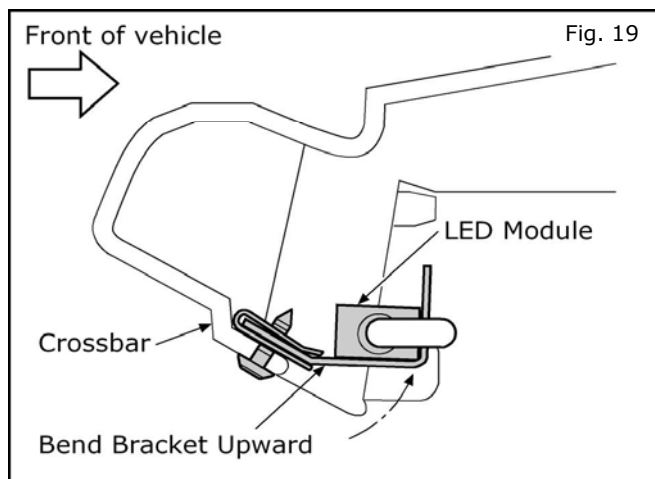
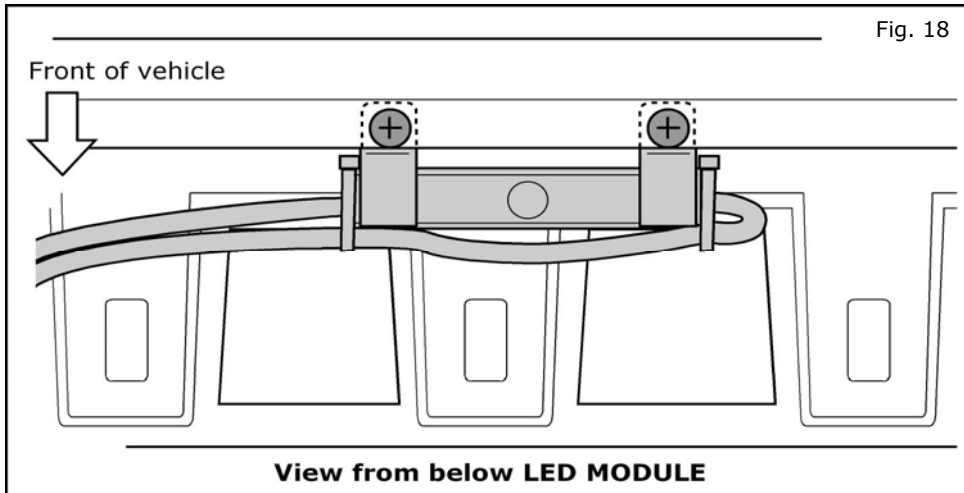
17. Mark and drill two (2) 3/16 inch holes at the locations indicated on the template. Remove the template. Clean any flashing from the hole.

Note: Verify that holes are located 5mm (.25") from bottom edge before drilling.

INSTALLATION INSTRUCTIONS - Accent Lighting Kit

12. INSTALLATION

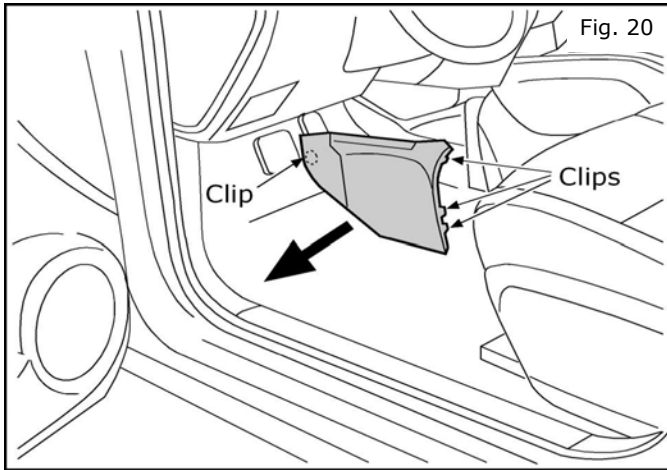
18. Place the passenger side LED module on the **inside** of the crossbar with the LED facing **downward**. Use two (2) phillips screws from the outside of the crossbar to mount the passenger side LED module.



19. Once the LED is properly installed on the crossbar, carefully bend the mounting brackets upward so the LED points downward into the footwell as shown in this cross section.

INSTALLATION INSTRUCTIONS - Accent Lighting Kit

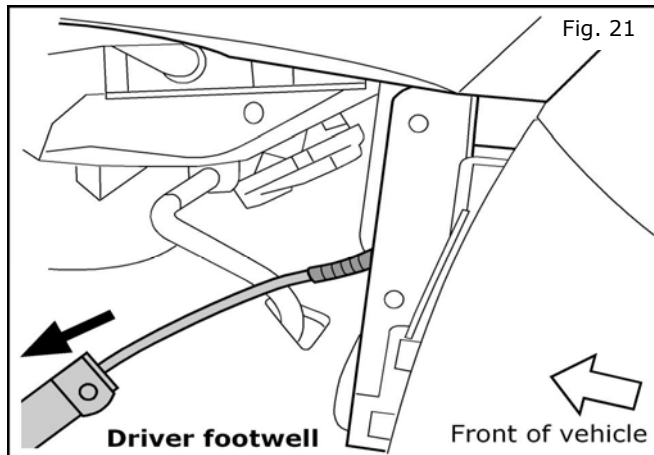
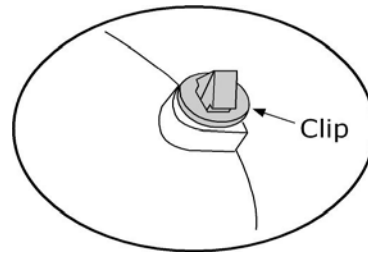
12. INSTALLATION



DRIVER SIDE LED MODULE INSTALLATION

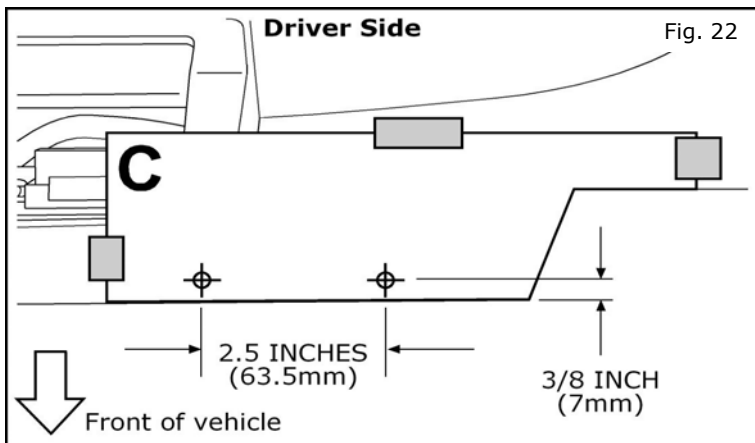
20. Carefully pry out the center trim panel from the driver side of the center stack.

NOTE: Be careful not to damage any clips on the panel during removal. Be sure the front retainer clip stays with the panel during removal. If clip does NOT come off with panel, then remove with a pry tool and reinsert into panel.



21. Feed the driver side LED Module through the center stack to the driver side footwell.

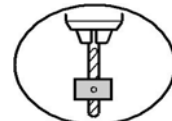
NOTE: A section of corrugated flex tubing is included on the harness. This tubing should be positioned behind the center stack to protect the wiring from any metal edges.



22. Trim out template "C" and tape into place on bottom of the steering finisher as shown. The template should be positioned along the bottom edge with the letter "C" on the left hand side.

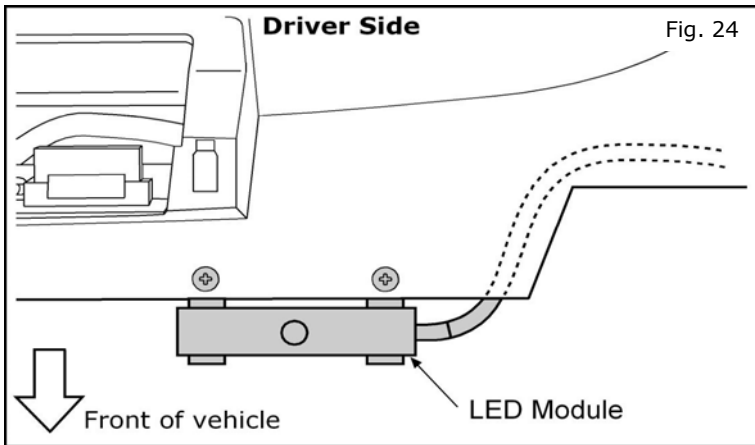
23. Mark and drill two (2) 3/16 inch holes at the locations indicated on the template. Remove the template. Clean any flashing from the hole.

NOTE: Use a 5mm drill stop to avoid damaging the existing wire harness.



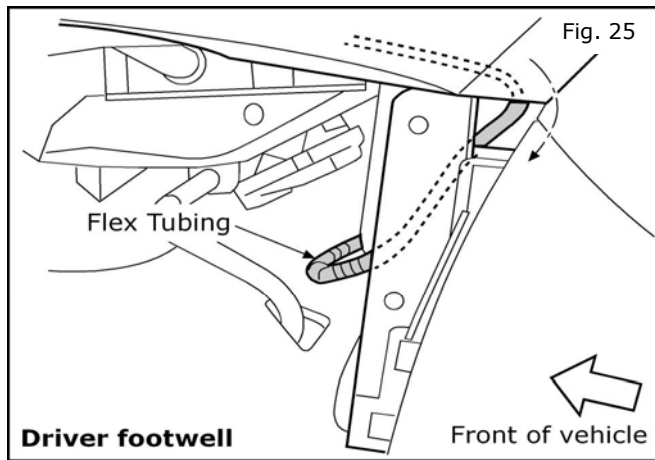
INSTALLATION INSTRUCTIONS - Accent Lighting Kit

12. INSTALLATION



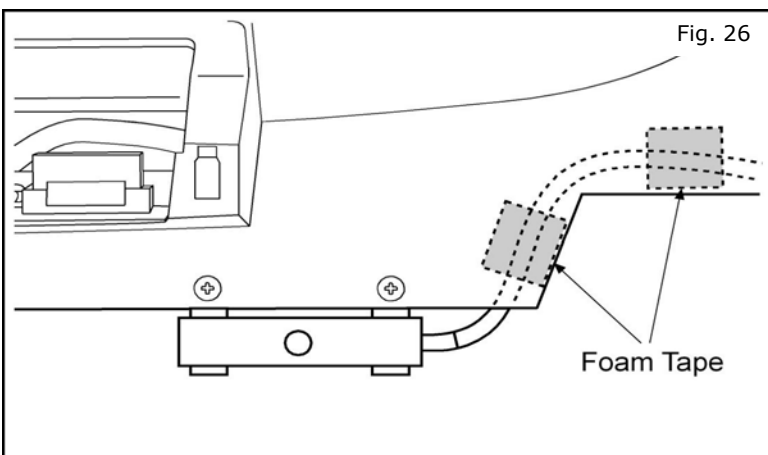
24. Place the driver side LED module on the **inside** of the panel with the LED facing **downward**. Use two (2) phillips screws from the outside of the panel to mount the driver side LED module.

NOTE: Driver side LED Module is connected to the longer 140cm harness.



25. Route driver side harness through the center stack as shown.

NOTE: A section of corrugated flex tubing is included on the harness. This tubing should be positioned behind the center stack to protect the wiring from any metal edges.

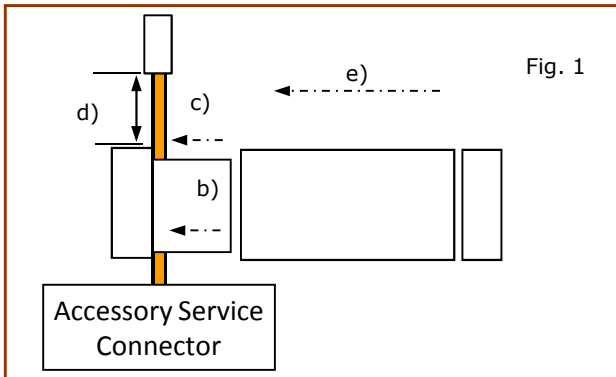


26. Secure the LED Module Harness to the inside of the trim panel with foam tape as shown.

NOTE: Use one piece of foam tape and cut into two sections.

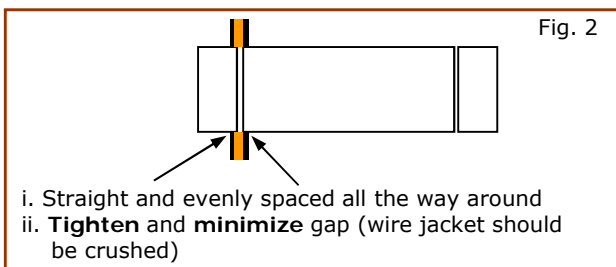
INSTALLATION INSTRUCTIONS - Accent Lighting Kit

13. POSI-TAP INSTRUCTION for the Accessory Service Connector ONLY.



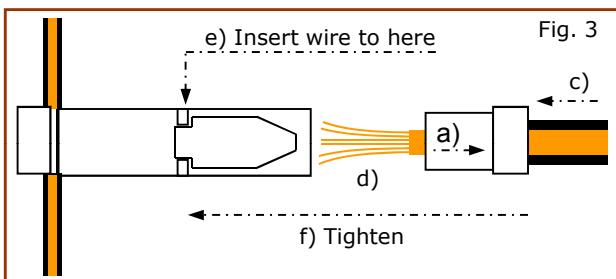
- 1) Tap Accessory service wire.
 - a) Identify and confirm correct wire in the Accessory Service Connector to be tapped.
 - b) Remove cap (slot side) from tap body.
 - c) Slide cap around single accessory wire.
 - d) Position cap $\geq 6.35\text{mm}$ (0.25 in) away from the heat shrink end of Accessory Service Connector (measurement for first posi-tap installed on the circuit).
 - e) Tighten the tap TIGHT with finger pressure.
 - f) Tighten by another quarter turn.

NOTE: Figures are not to scale.

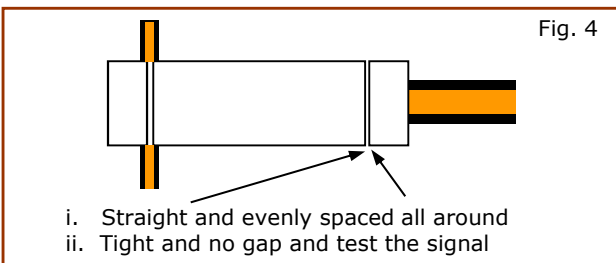


- 2) Inspect the tap to ensure correct installation.
 - a) Pull on the wire lightly to ensure connection.
 - b) Inspect the tap to ensure correct installation.
 - c) Test the signal to ensure that it is working properly.

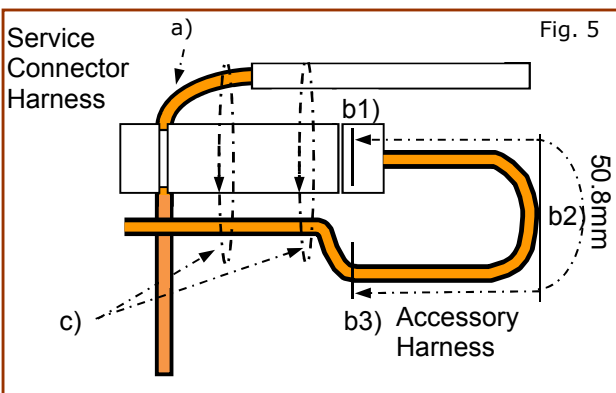
NOTE: Avoid putting pressure on the vehicle wire and tap for the remainder of the installation.



- 3) Tap accessory wire.
 - a) Remove tap (non-pierce) side from tap.
 - b) Remove the protective stub from the wire.
 - c) Insert wire through the non-pierce side opening.
 - d) Spread the individual strands into fan shape.
 - e) Insert wire into the tap body and ensure that it is all the way in.
 - f) Tighten the tap TIGHT with finger pressure.
 - g) Tighten by another quarter turn.



- 4) Confirm the tapped accessory wire.
 - a) Pull on the wire lightly to ensure connection.
 - b) Inspect the tap to ensure correct installation.
 - c) Test the signal to ensure that it is working properly.

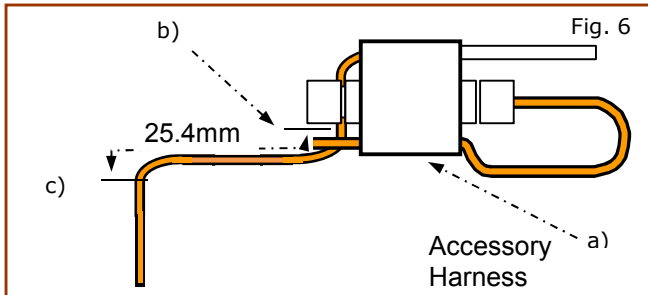


- 5) Forming strain relief loop (always required)
 - a) Gently bend the end of the pierced wire (where it exits the cap) down towards body of posi-tap.
 - b) On the tapped wire of the non-pierce side; starting at point b1), measure 50.8mm (2in) to point b3). Make the first bend of the loop b2), half the distance measured 25.4mm (1in), and up toward the body of the posi-tap, make the second bend of the loop b3) in towards the posi-tap so it can be secured with electrical tape.
 - c) Secure the pierced wire on the heat shrink side and the tapped wire on the non-pierce side to the body of the tap with electrical tape (≥ 2 revolutions).

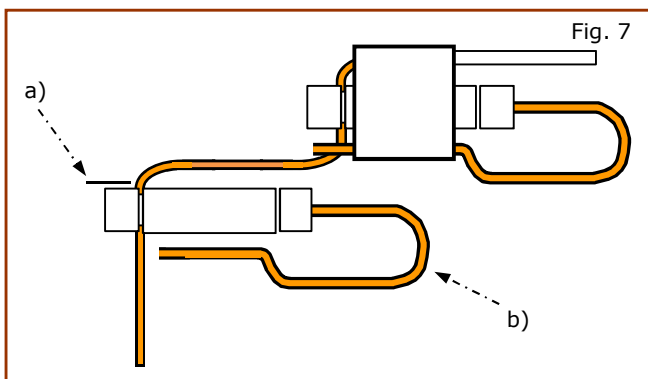
INSTALLATION INSTRUCTIONS - Accent Lighting Kit

13. POSI TAP INSTRUCTION IF securing multiple posi-taps on a single circuit.

NOTE: If securing multiple taps to single circuit, continue to Step 6, if tapping different circuits repeat steps 1-5 as required, then proceed to step 10

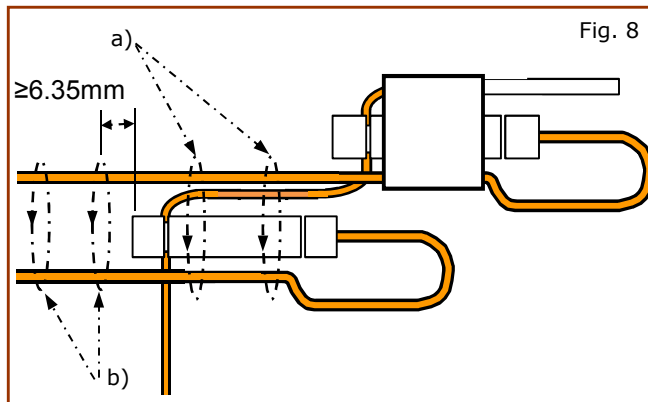


- 6) Multiple posi-taps on the same wire; first tap
 - a) The first accessory is tapped, relieved and secured as shown in Fig 1 thru 5 (these steps are always the same).
 - b) Measure 25.4mm(1in) from point b) to point c) on the pierced wire.
 - c) At points b) & c), bend the pierced wire gently to form the "staircase" shape.



- 7) Multiple posi-taps; second accessory.
 - a) Tap second accessory at point b), making sure to preserve "staircase shape".
 - b) After tapping second accessory, form a strain relief loop for the tapped wire on the non-pierce side as shown in Fig c) and detailed in step 5b.

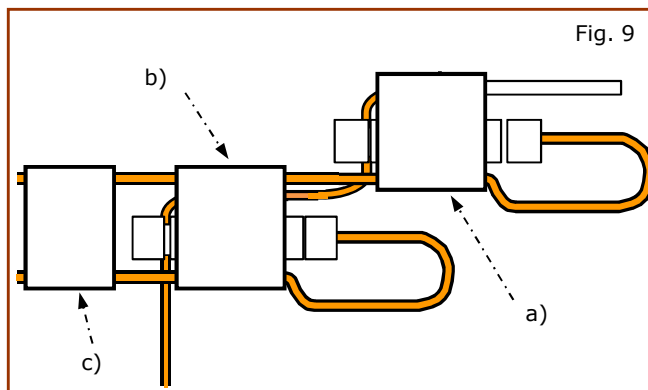
NOTE: Do not secure before reading step 8. Repeat as necessary.



- 8) Securing multiple posi-taps on the same circuit
 - a) Secure the pierced and tapped wires from the first posi-tap, along with the tapped wire from the non pierce side of the 2nd posi-tap to the body of the 2nd tap with electrical tape (≥ 2 revolutions).
 - b) Secure the tapped wires from the non-pierced sides of each tap to each other with electrical tape (≥ 2 revolutions) at a distance of $\geq 6.35\text{mm}(0.25\text{in})$ from the head of last posi-tap shown in Fig b).

Note: Repeat as required

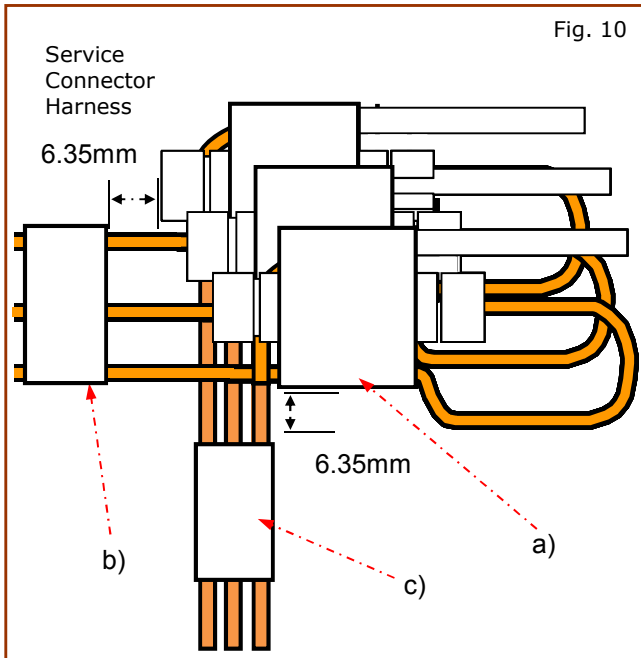
Note: No single wire should be posi-tapped more than four times to maintain integrity.



- 9) Multiple accessory taps on the same circuit secured.
 - a) The first accessory is tapped, relieved and has the pierced wire on the heat shrink side and the tapped wire on the non-pierce side secured to the first tap as shown in Fig a).
 - b) The second accessory is tapped, relieved and has the pierced wire, the tapped wire on the non-pierce side and the tapped wire from the non-pierce side of the first posi-tap secured to the second tap as shown in Fig b).
 - c) Finally the tapped wires on the non-pierce side of the first and subsequent posi-taps are secured to each other as shown in Fig c).

INSTALLATION INSTRUCTIONS - Accent Lighting Kit

13. POSI TAP INSTRUCTION for securing multiple tapped wires together.



- 10) Multiple accessory taps on different circuits secured together.
- a) The tapped accessories (with wires already secured to tap bodies) are stacked slightly staggered on top of each other as shown in Fig a).
 - b) The tapped wires on the non-pierce side of all the posi-taps are secured to each other with electrical tape (≥ 2 revolutions) at a distance of $\geq 6.35\text{mm}$ (0.25in) as shown in Fig b).
 - c) The pierced wires of the first and subsequent posi-taps are secured to each other with electrical tape (≥ 2 revolutions) at a distance of $\geq 6.35\text{mm}$ (0.25in) as shown in Fig c).

CAUTION: This Accessory Service Connector is for use only with Genuine Nissan (or Infiniti) approved accessories. Use of this connector with non Genuine Nissan (or Infiniti) approved accessories or failure to follow the installation instructions for the connector contained in this package may result in damage to the accessory and/or your vehicle. Nissan (or Infiniti) is not liable for loss or damage due to improper installation or the installation of non Genuine or non approved accessories.

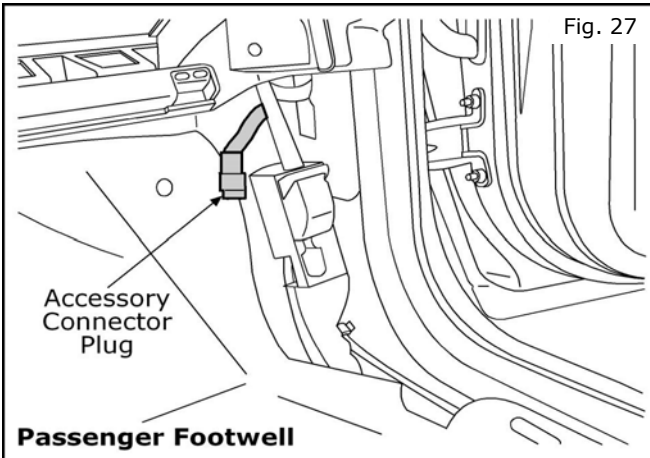
NOTE: If unclear, it is up to the responsible NTCNA Accessory Engineer to determine which of the methods above is the most appropriate.

INSTALLATION INSTRUCTIONS - Accent Lighting Kit

14. INSTALLATION

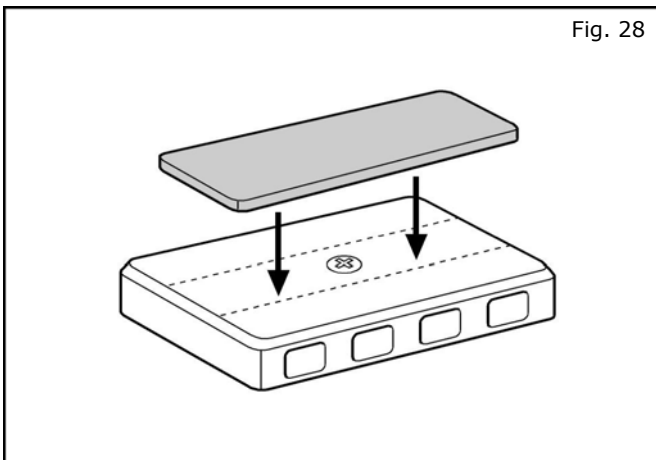
CAUTION

- If a vehicle wire is being used by another accessory and a posi-Tap is present, tap the accessory wire NOT the vehicle wire.



27. Locate the **passenger side** Accessory Connector plug. It will be taped to the harness below the dash along the outer wall of the footwell. Pull the plug free from the tape.

NOTE: A previously installed accessory may be present. If so, carefully remove the accessory connector harness from the accessory connector plug before posi-tapping. It is recommended that all posi-tapping be completed before reattaching the accessory connector harness to the plug.



NOTE: Attach one (1) 58mm x 82mm foam tape to the underside of the accessory control module, covering the screw in the center.

28. Place one (1) piece of foam tape over the top of the accessory controller.

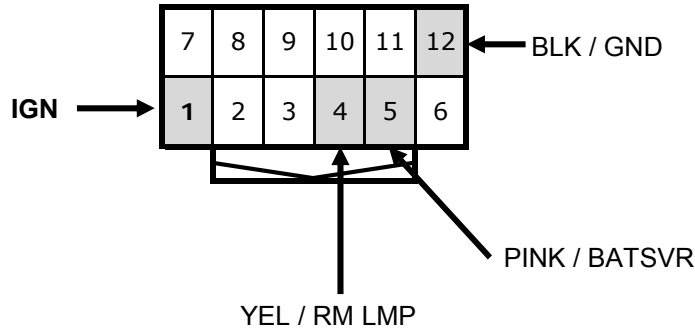
It should be on the opposite side of the sticky foam tape covering the screw.

NOTE: Do NOT pull cover off tape on controller at this time.

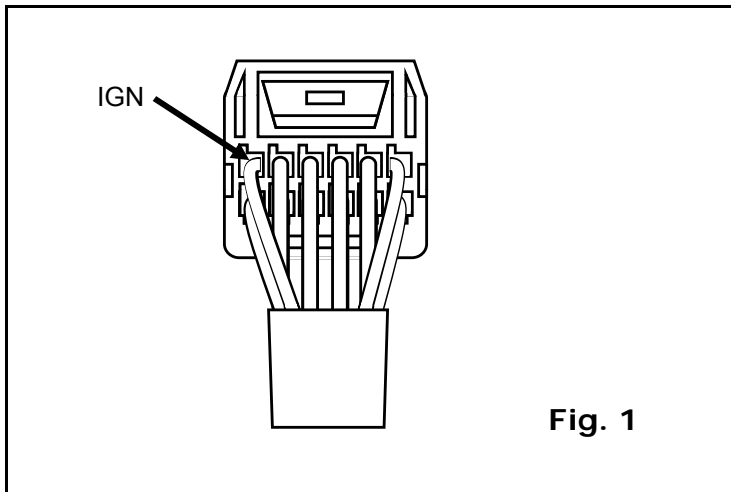
INSTALLATION INSTRUCTIONS - Accent Lighting Kit

14. INSTALLATION

CAUTION: This Accessory Service Connector is for use only with Genuine Nissan (or Infiniti) or Nissan (or Infiniti) approved accessories. Use of this connector with non Genuine Nissan (or Infiniti) or Nissan (or Infiniti) approved accessories or failure to follow the installation instructions for the connector contained in this package may result in damage to the accessory and/or your vehicle. Nissan (or Infiniti) is not liable for loss or damage due to improper installation or the installation of non Genuine or non approved accessories.



Pin location is referenced looking into face of connector



999Q9 AY001		
Pin	Label	Color
1	IGN	WHITE
2	BAT	RED
3	TL_LMP	PURPLE
4	RM_LMP	YELLOW
5	BATSVR	PINK
6	FR_DR_SW_RH	DK GRN
7	FR_DR_SW_LH	LT GRN
8	THRU SIGNAL 1	GREY
9	RR_DR_RH	DK BLUE
10	RR_DR_LH	LT BLUE
11	ACC	ORANGE
12	GND	BLACK

Use posi-taps to connect the wiring as follows:

Black wire from the Control Module to the **Black** wire on the Accessory Service Connector Harness.

Green wire from the Control Module to the **Pink** wire on the Accessory Service Connector Harness.

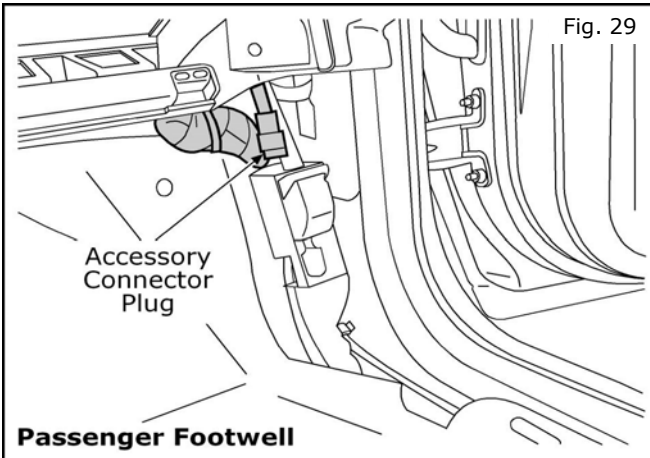
Blue wire from the Control Module to the **White** wire on the Accessory Service Connector Harness.

Brown wire from the Control Module to the **Yellow** wire on the Accessory Service Connector Harness.

ACCESSORY SERVICE CONNECTOR NOT INCLUDED IN KIT. REFERENCE PART NUMBER 999Q9 AY001.

INSTALLATION INSTRUCTIONS - Accent Lighting Kit

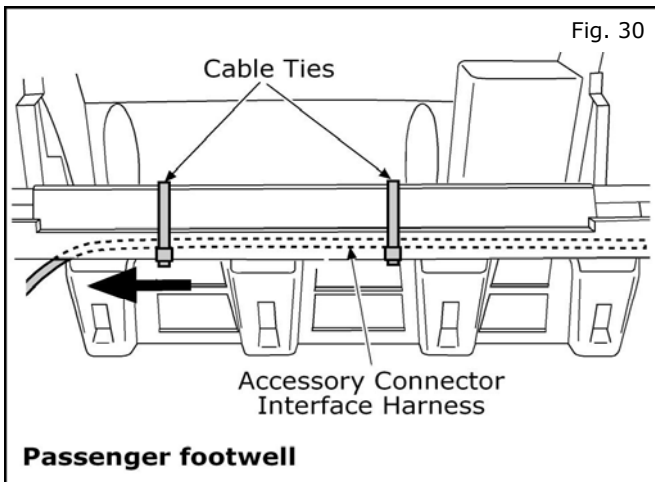
14. INSTALLATION



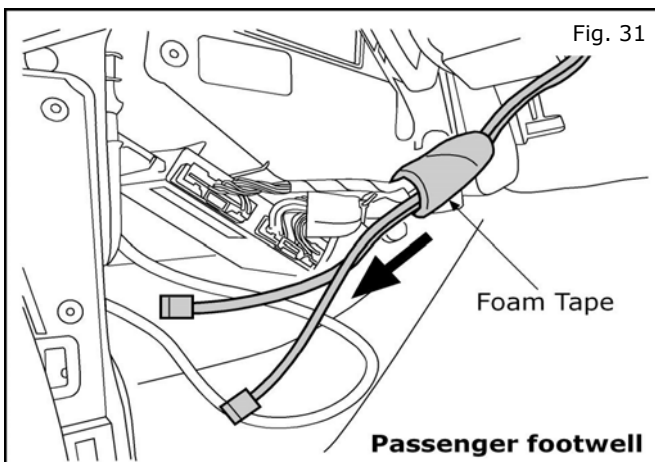
29. **Plug** the Accessory Connector Harness into the vehicle connector plug on the passenger side.

NOTE: Review Posi-Tap finishing steps on pages 13 and 14 to secure wire bundle.

**HARNESS NOT INCLUDED IN KIT.
REFERENCE PART NUMBER
999Q9 AY001.**



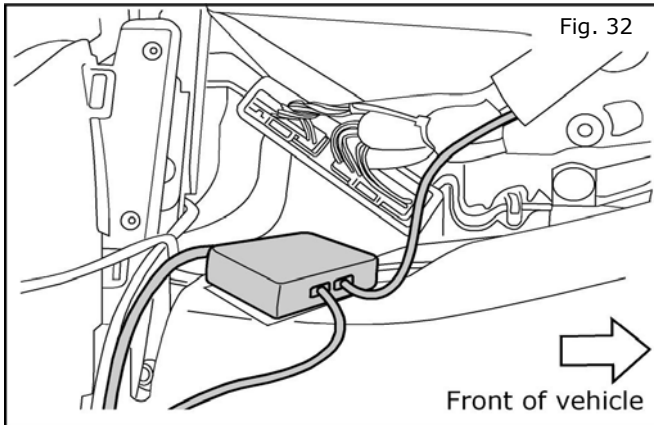
30. Route the Accessory Connector Interface Harness up behind the glovebox crossbar. Secure with cable ties as shown.



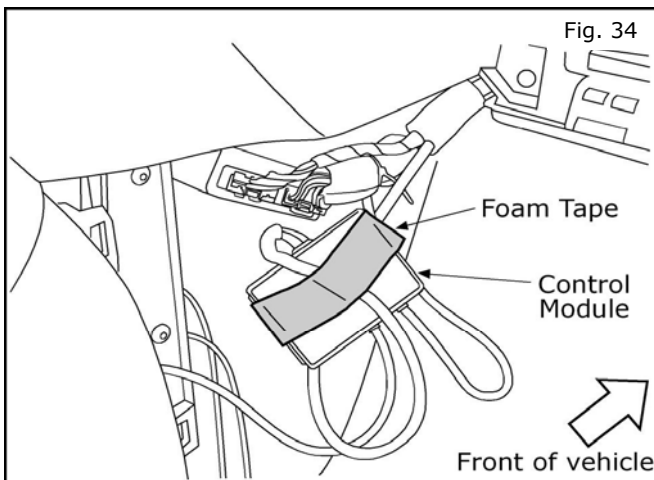
31. Route the LED Harness and the Accessory Connector Interface Harness down along the existing vehicle harness at the center stack. Secure the wiring to the vehicle harness with foam tape.

INSTALLATION INSTRUCTIONS - Accent Lighting Kit

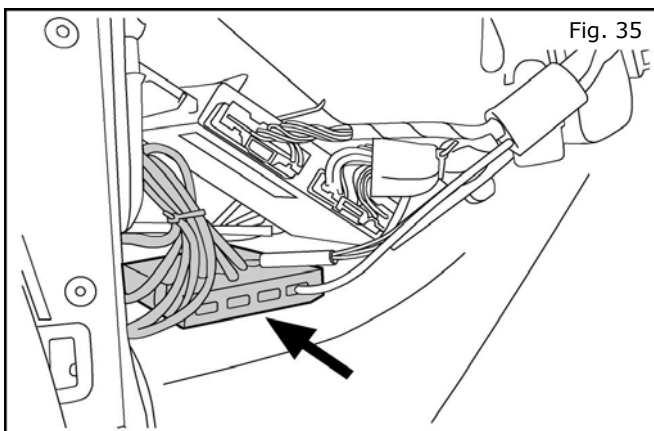
14. INSTALLATION



32. Plug all harnesses into the control module.
33. **Reconnect Battery.** Allow 3 minutes after positive terminal reconnect before separating or reconnecting any connectors. Confirm that Accent Lights function. Address any repair issues if needed.



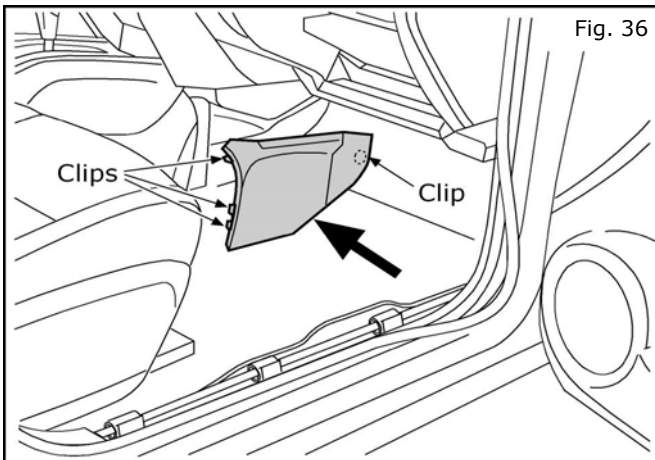
34. Secure the connector harnesses to the top of the Control Module with foam tape as shown.



35. Peel the cover off the tape on the controller. Securely place the controller on the carpet under the center stack. Bundle any excess wiring and secure under the center stack with cable ties as shown.

INSTALLATION INSTRUCTIONS - Accent Lighting Kit

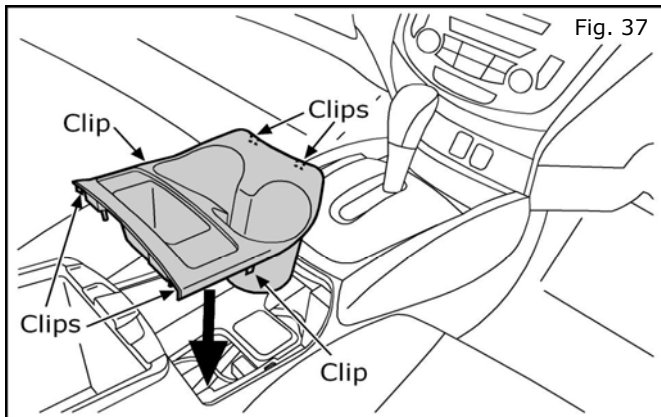
14. INSTALLATION



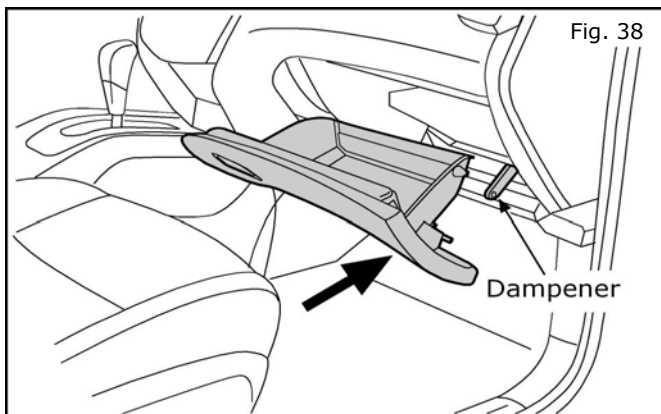
36. **Reinstall** the center trim panel at the passenger side of the center stack.

NOTE: Be careful not to damage any clips on the panels during reinstallation.

35. **REPEAT FOR DRIVER SIDE TRIM PANEL.**



37. **Reinstall** the cup holder trim panel.



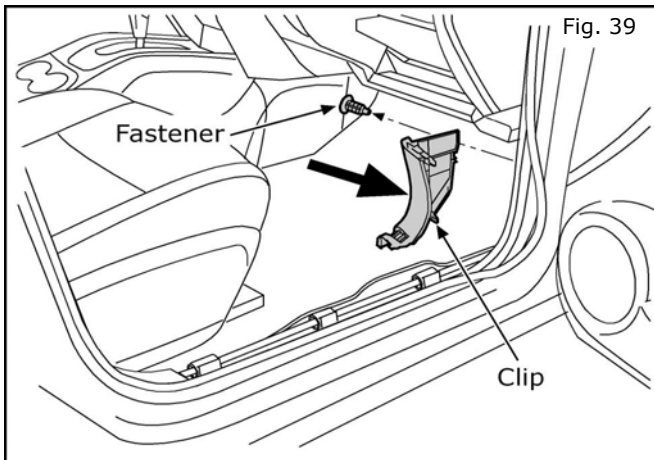
IF GLOVEBOX WAS REMOVED (OPTIONAL STEP 7)

38. **Reinstall** the glovebox. **Reconnect** the dampener arm at the right side of the door.

NOTE: Be sure to support the door **AT THE HINGE LOCATIONS** during reinstallation to avoid any damage.

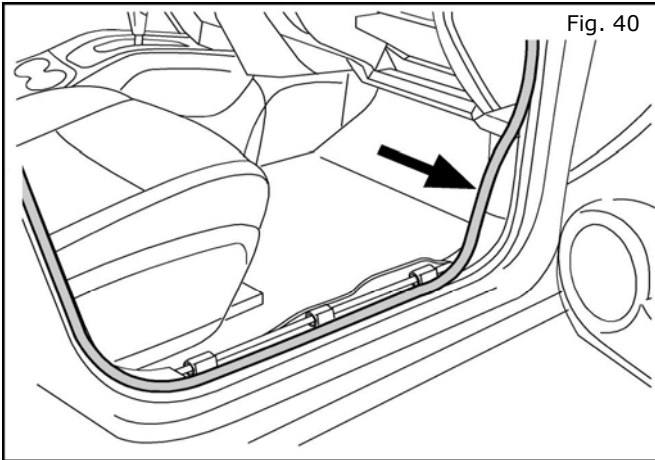
INSTALLATION INSTRUCTIONS - Accent Lighting Kit

14. INSTALLATION

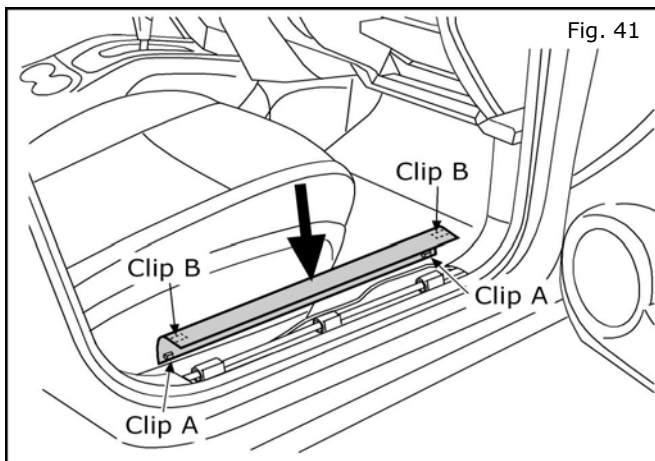


39. **Reinstall** the passenger side outer footwell trim panel and one (1) fastener clip.

NOTE: Be sure clip is properly aligned. Be careful not to damage clip on panel during reinstallation.



40. **Reinstall** the passenger side door seal welt.



41. **Reinstall** the passenger side inner door sill trim panel.

NOTE: Be sure all clips are properly aligned. Be careful not to damage any clips on the panels during reinstallation.

42. **REPEAT STEPS 38 THROUGH 40 FOR DRIVER SIDE COMPONENTS.**

NOTE: Trim all cable ties. Check installation.

INSTALLATION INSTRUCTIONS - Accent Lighting Kit

15. CHECK OUT

- (1) Shut all doors on the vehicle.
- (2) Wait until all interior lamps go out.
- (3) Turn on **the headlamps**.
- (4) Verify that both LEDs come on and that there is no dark cutoff area on the passenger side.
To adjust, bend LED module further to eliminate dark cutoff in toe area of pass footwell.
- (5) Check the trim for a proper, flush fit after re-installing the interior components.
- (6) Clean the interior of the vehicle.
- (7) Inspect the vehicle interior and exterior for damage.
- (8) Check and clear trouble codes (DTC).
- (9) If this vehicle will be returned to a dealer lot or showroom for an extended period of time, be sure the extended storage switch is placed in the "inventory" position.
(Refer to section 9 - Vehicle Preparation)
- (10) If vehicle is NOT going into storage, reset the radio presets to the recorded settings.

Note: When diagnosing electrical system problems, first disconnect the accessory connectors and note effect on system. Continue the investigation with the accessory connectors disconnected. Remember to reconnect the accessories when the investigation is complete.

Posi-Tap™ is protected by patent # 5,228,875 5,695,369 5,868,589 6,692,313 Jap 2881414 Aus 708700 Tia 103534 Can 2204826 Mex 200626 Korea 477279 China Z197105562.9 & others pending.

INSTALLATION INSTRUCTIONS - Accent Lighting Kit

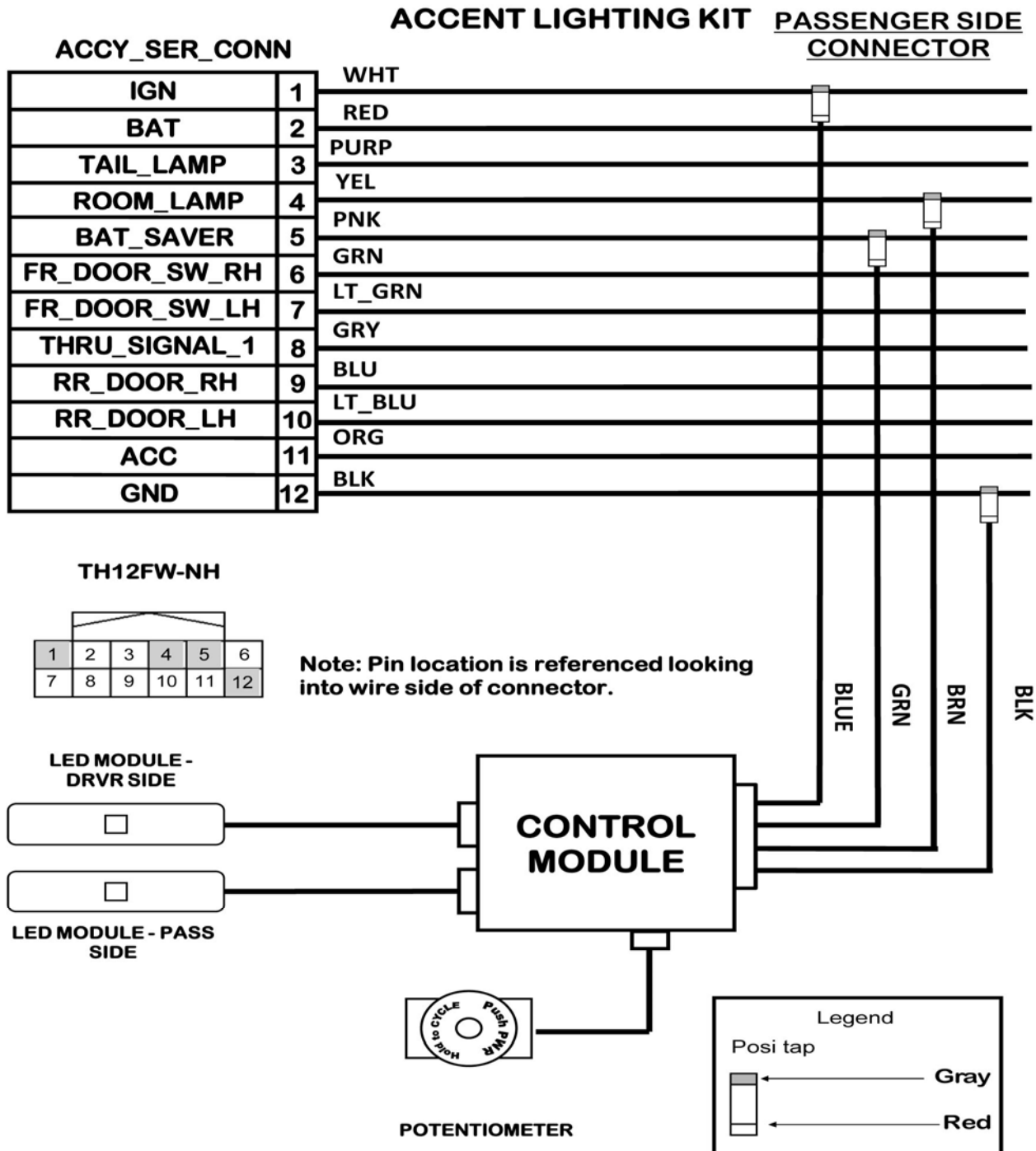
16. BILL OF MATERIALS

Nissan Universal Accent Lighting Kit - 999F3 4Z000

	Parts Contained in Bag Labelled 'Installation Kit'.	Qty	Part Number
1	Accent Lighting Controller (Multi Color)	1	999F3 AW004
2	Footwell Light Assembly	1	999F3 4Z010
3	Encoder Module	1	999F3 AW006
4	Vehicle Interface Module	1	999F3 AW050
5	Fixing Kit	1	999F3 4Z030
6	CABLE TIE 4" BLACK	12	
7	80 X 30 X 5MM THICK FOAM	16	
8	POSI-TAP (20AWG/0.5mm2 TYPE)	4	
9	POSI-TAP (20AWG/0.5mm2 TYPE)	4	
10	MODULE ADHESIVE PAD 53MM X 33MM	1	
11	WHITE PAPER LABEL 14MM X 33MM	1	
12	POLYTHENE 8" X 12" BAG	3	
13	POLYTHENE 102" X 140" BAG	1	
14	PACKING ID LABEL	1	
15	CABLE TIE 15" BLACK	6	
16	Website Instructions w/Parts List	1	999F3 AW001
17	Installation Instructions (Website)	0	999F3 4Z000 II
18	Accessory Connector Harness (NOT INCLUDED IN KIT)	1	999Q9 AY001

INSTALLATION INSTRUCTIONS - Accent Lighting Kit

17. MECHANIZATION



BLUE

GRN

BRN

BLK

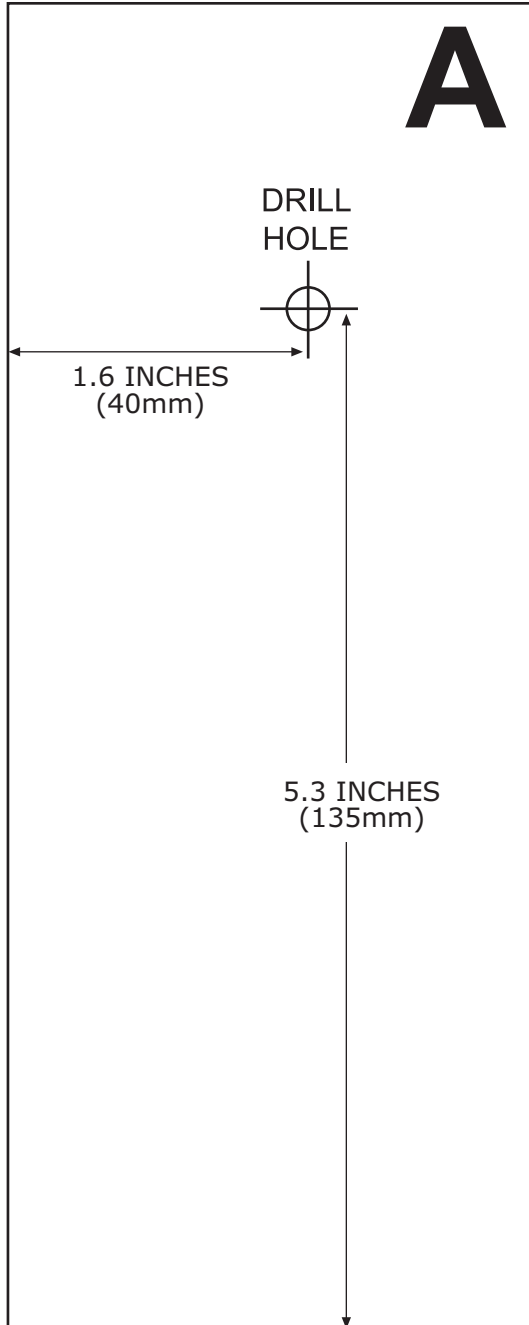
INSTALLATION INSTRUCTIONS - Accent Lighting Kit

17. MECHANIZATION

(BACK BLANK PAGE)

INSTALLATION INSTRUCTIONS - Accent Lighting Kit

18. TEMPLATE A



SCALE
1 inch

 **10mm**

IMPORTANT: BE SURE PRINTER PAGE SETTING IS PROPERLY ADJUSTED SO TEMPLATE PRINTS AT ACTUAL SIZE.

VERIFY ACCURATE SIZING WITH A RULER BEFORE TRIMMING OUT TEMPLATE.

INSTALLATION INSTRUCTIONS - Accent Lighting Kit

18. TEMPLATE A

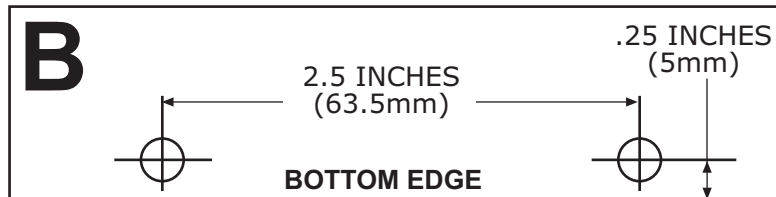
(BACK BLANK PAGE)

INSTALLATION INSTRUCTIONS - Accent Lighting Kit

19. TEMPLATE B

SCALE
1 inch

 **10mm**



IMPORTANT: BE SURE PRINTER PAGE SETTING IS PROPERLY ADJUSTED SO TEMPLATE PRINTS AT ACTUAL SIZE.

VERIFY ACCURATE SIZING WITH A RULER BEFORE TRIMMING OUT TEMPLATE.

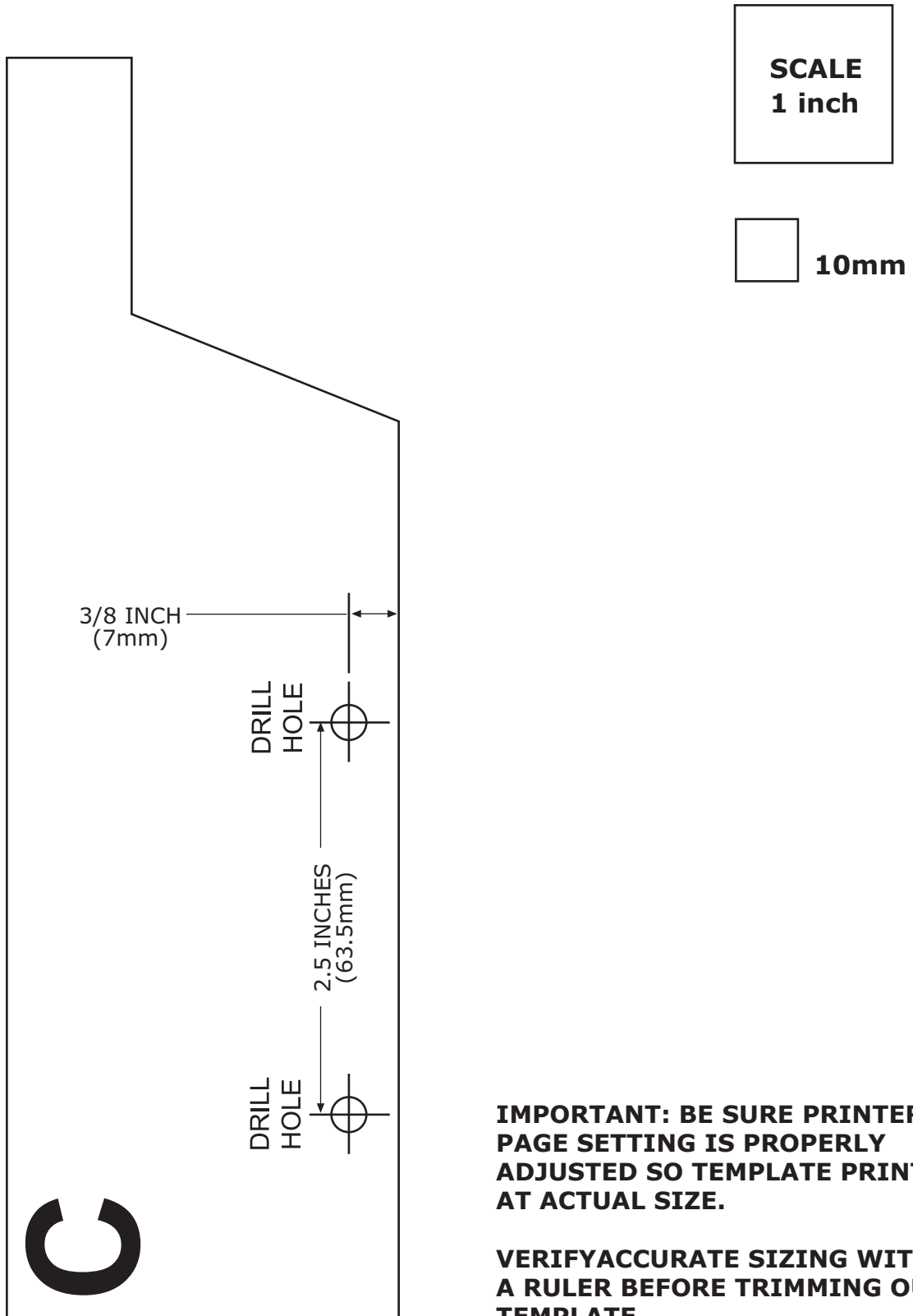
INSTALLATION INSTRUCTIONS - Accent Lighting Kit

19. TEMPLATE B

(BACK BLANK PAGE)

INSTALLATION INSTRUCTIONS - Accent Lighting Kit

20. TEMPLATE C



IMPORTANT: BE SURE PRINTER PAGE SETTING IS PROPERLY ADJUSTED SO TEMPLATE PRINTS AT ACTUAL SIZE.

VERIFY ACCURATE SIZING WITH A RULER BEFORE TRIMMING OUT TEMPLATE.

INSTALLATION INSTRUCTIONS - Accent Lighting Kit

20. TEMPLATE C

(BACK BLANK PAGE)